

INSTALLATION, MAINTENANCE & PARTS MANUAL

High Performance Composite (HPC) and Vitreous China (VC) Models



KALAHARI™ MODEL #2003 (HPC)



SONORA™ MODEL #2004 (HPC)



ANZA™ MODEL #2005 (HPC)

Please observe 10 day merchandise return policy.



YUKON™ MODEL #2101 (VC)



BORREGO™ MODEL #2103 (VC)



BAJA™ MODEL #2104 (VC)

■ ■ ■ ■ **IMPORTANT!** ■ ■ ■ ■

DO NOT INSTALL NO-FLUSH™ URINALS:

1. ON CLOGGED OR UNCLEARED SEWER LINES or 2. TO UNVENTED DRAIN LINES

TO MAINTAIN WARRANTY, SEWER LINES NEED TO BE PROFESSIONALLY CLEANED (SNAKED) AND WORK DOCUMENTED PRIOR TO INSTALLATION. NO WARRANTIES, EITHER ASSUMED OR IMPLIED, ARE GIVEN FOR PROPER FUNCTIONING OF NO-FLUSH™ URINALS WITHOUT DOCUMENTATION.

CHECK ROUGH-IN HEIGHT BEFORE INSTALLATION FOR CORRECT URINAL HEIGHT.



In keeping with our policy of product improvement, Waterless Co. reserves the right to change product specifications at any time without notice. It is the responsibility of the specifier, installer and wholesale seller to confirm specification at time of sale or installation. No responsibility is assumed, claimed or accepted by Waterless Co. Inc.

WATERLESS.com

the innovative brand since 1991



Los Angeles CA 90042
 Toll Free: (800) 458-2377 • Tel: (323) 258-1940
 www.CandLsupply.com

BILL TO: Company: _____ PO# _____
 Name: _____ Tel: _____
 Address: _____ Fax: _____

SHIP TO: Company: _____ Attn: _____
 Address: _____ Residential:

Item#	Decription	Quantity	Unit \$ (per gal./ qt./...)	Extension
1101	BlueSeal® Trap Liquid, Gallon (case qty. 4)		\$69.95	
1114	BlueSeal® Trap Liquid, Quart (case qty. 12)		\$18.95	
1214	GreenClean® Sanitary Cleaner, Quart (case qty. 12)		\$5.95	
1234	StarterKit (1 ea. 1114; 1214; 1424; 1514; 1614; 4002; 4001)		\$83.00	
1414	Signature™ Deodorizer, One Quart (case qty. 12)		\$8.68	
1501	EverPrime™ Drain Trap Liquid, Gallon (case qty. 4)		\$90.00	
1514	EverPrime™ Drain Trap Liquid, Quart (case qty. 12)		\$25.00	
1601	NviroClean™, Fixture Cleaner, Gallon (case qty. 14)		\$64.80	
1614	NviroClean™, Fixture Cleaner, Quart (case qty. 12)		\$18.00	
2003	Kalahari™, Wall Drain		\$478.50	
2003B	Kalahari™, Bottom Drain		\$478.50	
2004	Sonora™, ADA, Wall Drain		\$498.50	
2004B	Sonora™, ADA, Bottom Drain		\$498.50	
2005	Anza™, ADA, Wall Drain		\$380.00	
2101	Yukon™, ADA, Wall Drain		\$399.00	
2103	Borrogo™, ADA, Wall Drain		\$340.00	
2104	Baja™, ADA, Wall Drain		\$248.00	
2901	Del Mar™, Bottom Drain		\$289.25	
2902	Del Casa™, Bottom Drain		\$289.25	
2903	Santa Fe™, ADA, Bottom Drain		\$299.00	
3001	EcoTrap® Insert (case qty. 50)		\$6.95	
4001	X-Traptor® Tool		\$18.95	
4002	PortionAid - Quart		\$5.75	
4004	i-Bend Brush		\$#z+	
5001	Brass Urinal Flange, 2"		\$24.00	
5001	Brass Urinal Flange, 2"		\$&z "	
6009	iPack™		"&z#	
G-208	P-Gasket		"#z "	
DISCOUNT OFFER CODE (if applicable)				
Subtotal (does not include tax and shipping)				

Payment Terms: Net 20 Credit Card # _____ Expiration Date: _____
 Name on Card: _____ Security Code: _____
 Billing Address of Card: _____

Written By: _____ Date: _____

INSTALLATION INSTRUCTIONS

HPC Models #2003, #2004 and #2005

VC Models #2101, #2103 and #2104

For additional installation instructions that pertain to each individual urinal, please see next two pages.

NOTE:

No flushometer needed for fixture, provide suitable reinforcements for all wall supports and carriers. ADA: Requires urinal rim to be mounted 17" above finished floor. Dimensions for fixtures are nominal and may vary within the range of tolerances established by ANSI Standard A112.19.19 and ANSI Z124.9. Measurements are subject to change or cancellation. No responsibility is assumed. CSA®; UPC®; others. **High Performance Composite = HPC Vitreous China = VC**

Please leave this Installation/Care sheet with the owner/user as it contains important information.

BOX CONTENTS:

2-EcoTrap® Inserts; 2-Wall Hangers; 4-Washers; 4-Plastic Anchors; 4-Screws; 2-All-Thread 5/16" Studs with nuts; 1-Rubber Gasket; 1- Brass Flange (VC urinal ONLY)

Model #2104 ONLY: 2-EcoTrap® Inserts; 1- Wall Hanger; 2-Washers; 2-Plastic Anchors; 2-Screws; 2-All-Thread 5/16" Studs with nuts; 1-Rubber Gasket; 1- Brass Flange

TOOLS NEEDED:

Screwdriver; 5/16" (7.9mm) Masonry Drill Bit and Drill; Putty Knife; Water Supply Cap (for retrofit only); Wrench; Caulk

BEFORE YOU BEGIN:

- **Do not** install *No-Flush™* urinals without prior waste line clean out. **Do not double trap** *No-Flush™* urinal.
- Please assure that the new urinal has the correct rough-in dimensions.
- When working with highly polished plastic or ceramic products, please use care in handling the unit during installation to avoid scratches or chip marks.
- Over-tightening bolts and screws may result in damage to the urinal.
- Measure drain line height for correct urinal height.
See page 4.

TO REMOVE EXISTING URINAL:

Turn off the water supply. Flush the urinal to drain valve and scoop or sponge out remaining water in urinal. Disconnect the flushometer valve and cap water supply line. Remove urinal shell from wall and clean off any residues from wall and flange.

BEFORE YOU INSTALL URINAL:

Do not install *No-Flush™* urinal without prior waste line clean out. Existing scaling and debris in the waste line will inhibit the flow of waste from Waterless™ urinal and its proper functioning can not be guaranteed. *No-Flush™* urinals are engineered, however, to reduce waste line scaling.

TO INSTALL NO-FLUSH™ URINAL:

- Assure that flange holes are lined up horizontally. Insert 5/16" All-Thread studs into existing flange holds.
- Set supplied rubber gasket on existing flange. **Do not use wax gasket.** If using wax gasket, assure that no wax materials protrude into interior drain line openings.
- **SEE PAGE 4 FOR SPECIFIC URINAL MOUNTING INSTRUCTIONS.**
- Install wall hanger(s) with provided anchors and screws.
- Carefully align/set urinal onto wall hanger(s) and lower urinal onto flange studs through *AllFlange™* recess in urinal. If alignment is needed, remove urinal, reset hanger(s) and hang urinal again as described above.
- Use washers and nuts and hand tighten on studs to hold urinal in place. Then tighten nuts evenly. **Avoid over-tightening.**
- **Caution:** Do not rock or lift urinal after placement. Seal gasket may slip and not be water tight. Do not double ring for leak repair.
- Using a bucket of water, at least 5 gallons, pour water down urinal drain hole to test seal tightness. Check for leaks on bottom of urinal and wall.
- Caulk urinal, leaving approximately 8" (203mm) on bottom of urinal uncaulked. Attach tile label above urinal on wall (where available).

INITIAL START-UP:

Wipe urinal clean with soft moist cloth. Take enclosed plastic EcoTrap® insert. Fill it with water under faucet in sink. Set EcoTrap® insert into trapway. **Push down below rim of trapway.** Add 3 Oz. of BlueSeal® trap liquid. **Done!** (Note: Plumber's grease can be used around edges of EcoTrap® insert to ease insertion into trapway.)

CLEANING AND CARE:

Do not use any harsh abrasive cleaners as those can harm the surface effectiveness and thereby void the product's warranty. NviroClean™ (#1614) is a very effective and efficient cleaner. Simply spray and walk away!

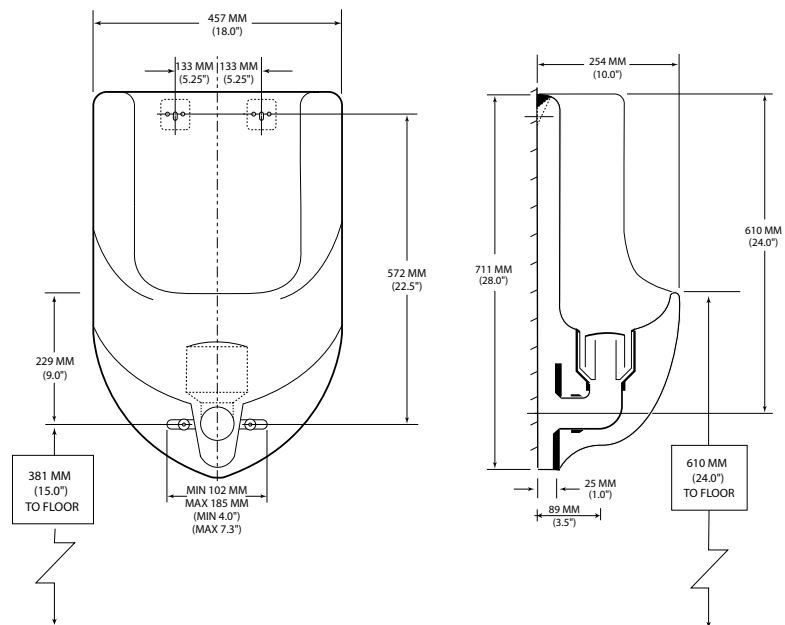
Kalahari™

#2003 (HPC)

KALAHARI™ SPECIFICATIONS

Rough-in to be 15.0" off floor for 24.0" lip to floor dimensions.

Weight: 22 lbs.



Sonora™

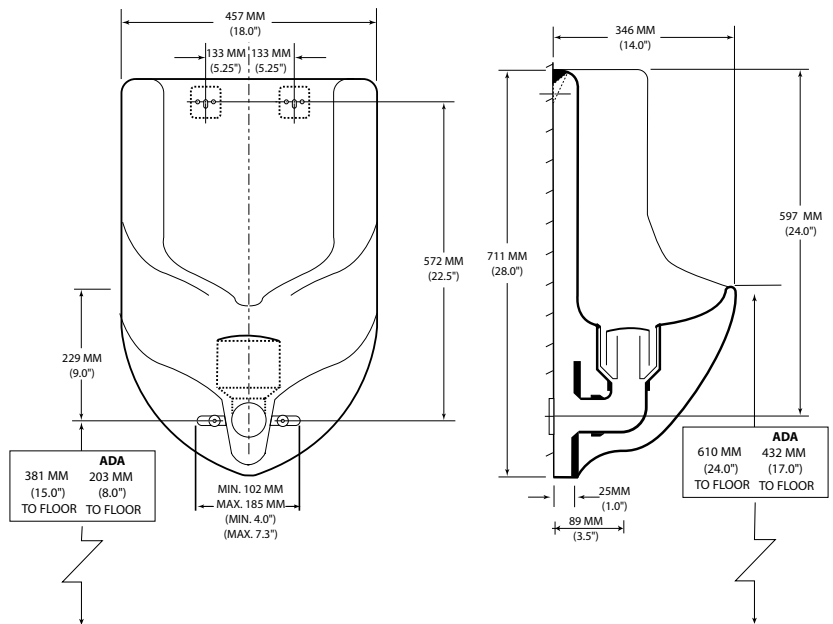
#2004 (HPC)

SONORA™ SPECIFICATIONS

Rough-in to be 15.0" off floor for 24.0" lip to floor dimensions.

ADA Rough-in to be 8.0" off floor for 17.0" lip to floor dimensions.

Weight: 22 lbs.



Anza™

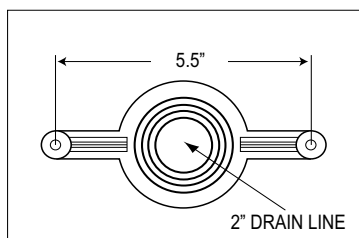
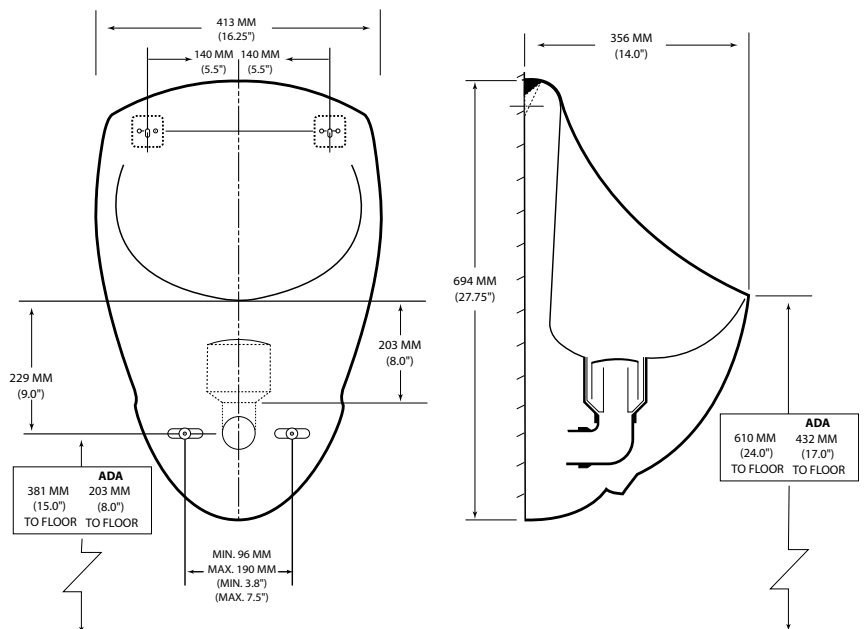
#2005 (HPC)

ANZA™ SPECIFICATIONS

Rough-in to be 15.0" off floor for 24.0" lip to floor dimensions.

ADA Rough-in to be 8.0" off floor for 17.0" lip to floor dimensions.

Weight: 18 lbs.



Yukon™

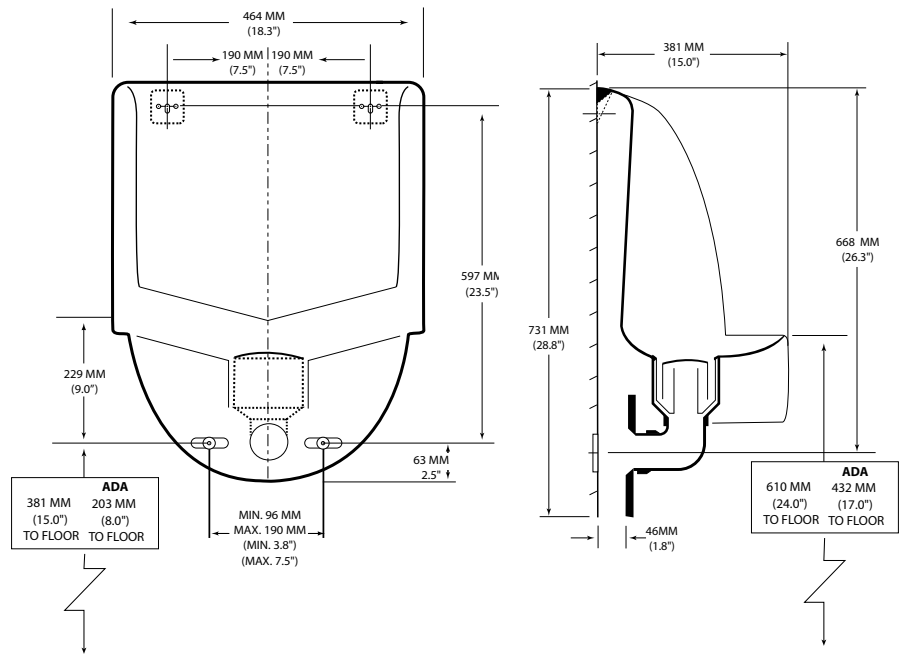
#2101 (VC)

YUKON™ SPECIFICATIONS:

Rough-in to be 15.0" off floor for 24.0" lip to floor dimensions.

ADA Rough-in to be 8.0" off floor for 17.0" lip to floor dimensions.

Weight: 65 lbs.



Borrego™

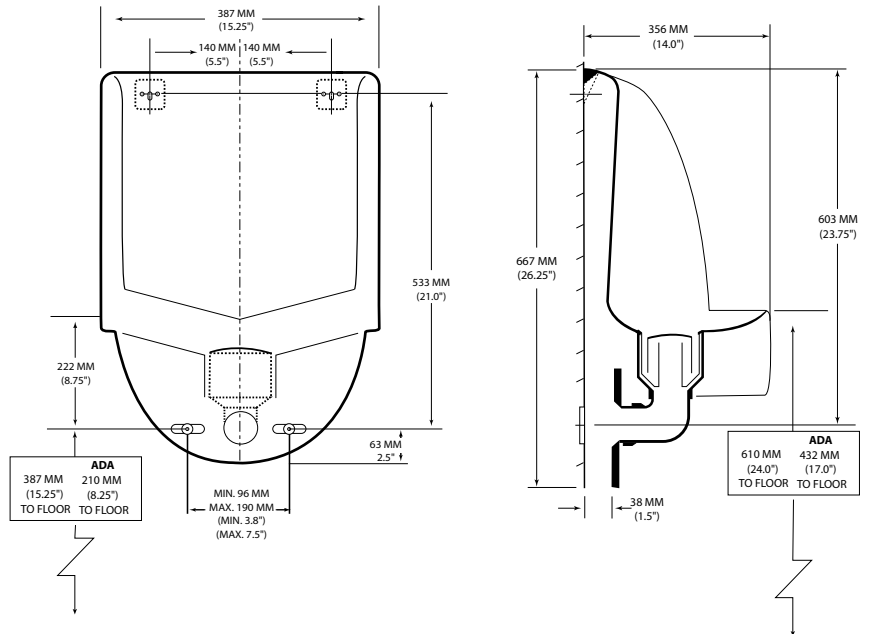
#2103 (VC)

BORREGO™ SPECIFICATIONS:

Rough-in to be 15.25" off floor for 24.0" lip to floor dimensions.

ADA Rough-in to be 8.25" off floor for 17.0" lip to floor dimensions.

Weight: 45 lbs.



Baja™

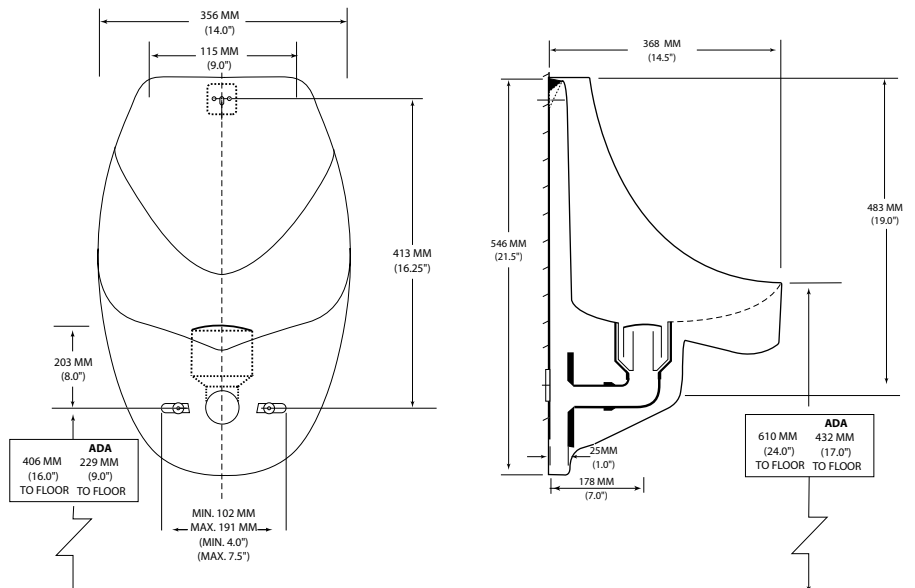
#2104 (VC)

BAJA™ SPECIFICATIONS:

Rough-in to be 16.0" off floor for 24.0" lip to floor dimensions.

ADA rough-in to be 9.0" off floor for 17.0" lip to floor dimensions.

Weight: 29 lbs.



INSTALLATION INSTRUCTIONS

Model #2003B Bottom Drain, #2004B Bottom Drain

For additional installation instructions that pertain to each individual urinal, please see next page.

NOTE:

No flushometer needed for fixture, provide suitable reinforcements for all wall supports and carriers. ADA: Requires urinal rim to be mounted 17" above finished floor. Dimensions for fixtures are nominal and may vary within the range of tolerances established by ANSI Standard A112.19.2, A112.19.19 and ANSI Z124.9. Measurements are subject to change or cancellation. No responsibility is assumed. CSA®; UPC; others.

Please leave this Installation/Care sheet with the owner/user as it contains important information.

BOX CONTENTS:

2-*EcoTrap*® Inserts; 2-Wall Hangers;
2-Washers; 4-Plastic Anchors; 4-Screws;

TOOLS/HARDWARE NEEDED:

Screwdriver; 5/16" (7.9mm) Masonry Drill Bit and Drill; Putty Knife; Water Supply Cap (for retrofit only); Caulk; 2-Lag Screws

BEFORE YOU BEGIN:

- **Do not** install *No-Flush*™ urinals without prior waste line clean out. **Do not** double trap *No-Flush*™ urinal.
- When working with highly polished plastic or ceramic products, please use care in handling the unit during installation to avoid scratches or chip marks.
- Over-tightening bolts and screws may result in damage to the urinal.
- Measure drain line height for correct urinal height.

TO REMOVE EXISTING URINAL:

Turn off the water supply. Flush the urinal to drain valve and scoop or sponge out remaining water in urinal. Disconnect the flushometer valve and cap water supply line. Remove urinal shell from wall and clean off any residues from wall and flange.

BEFORE YOU INSTALL URINAL:

Do not install *No-Flush*™ urinal without prior waste line clean out. Existing scaling and debris in the waste line will inhibit the flow of waste from Waterless™ urinal and its proper functioning can not be guaranteed. *No-Flush*™ urinals are engineered, however, to reduce waste line scaling.

TO INSTALL NO-FLUSH™ URINAL:

- Waterless urinal should be attached to wall so that urinal lip is 24" off floor (for ADA urinal 17" lip to floor). Hold urinal to wall and mark slots on lower part of urinal.
- Mark spot on wall. Measure required distance for hangers to each side of marked spot horizontally. Mark spots. Drill 5/16" hole in each of the two marked horizontal spots. Insert supplied plastic anchors in holes.

- Take supplied hangers and attach these to the wall with supplied screws.
- Where needed, make a fitting mounting plate made of materials, approved for this type of installation in your area, to fit the lower part of the urinal. Size is 6"L x 3"W x 3/4"D. Mount plate to wall in approved manner to fit behind lower slots in urinal. Assure that plate size does not interfere with urinal walls and plate sits tight and flush with wall.
- Assure that the urinal will hang flush to the wall.
- Set urinal on hangers and lower urinal over plate. Drill 5/16" holes through AllFlange™ urinal slots into plate.
- Insert screws (not supplied due to variations of installation) with washers through flange slots of urinal and tighten.
- Measure 2" pipe parts, in accordance with local trade practices, for connection from urinal to drain line.
- Trial assemble all parts to see that it all fits. Hand tighten pieces. **DO NOT DOUBLE TRAP WATERLESS URINAL.** The urinal has its own integral trap.
- Caulk around the urinal. Attach enclosed tile label above urinal on wall.

INITIAL START-UP:

Wipe urinal clean with soft moist rag. Take enclosed *EcoTrap*® plastic trap insert and set trap into trapway. **Push trap down below rim of trapway.** Fill with water under faucet in sink. Fill until full or water overflows on bottom then add 3 oz. of *BlueSeal*® liquid. **Done!**

CLEANING AND CARE:

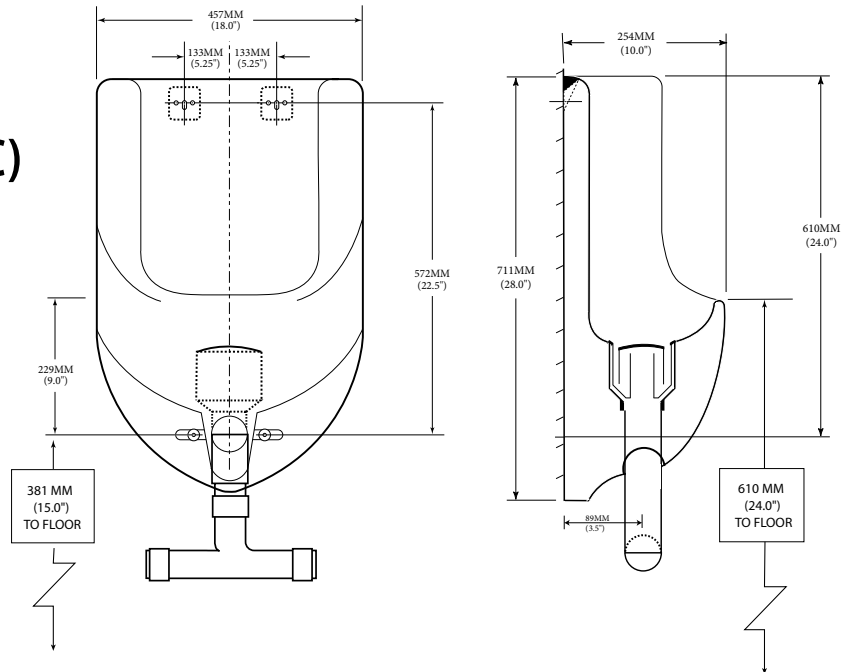
Do not use any harsh abrasive cleaners as those can harm the surface effectiveness and thereby void the product's warranty. NviroClean™ (#1614) is a very effective and efficient cleaner. Simply spray and walk away!

Kalahari™ #2003B Bottom Drain (HPC)

KALAHARI™ BOTTOM DRAIN SPECIFICATIONS:

Rough-in to be 15.0" off floor for 24" lip to floor dimensions.

Weight: 22 lbs.



Sonora™ #2004B Bottom Drain

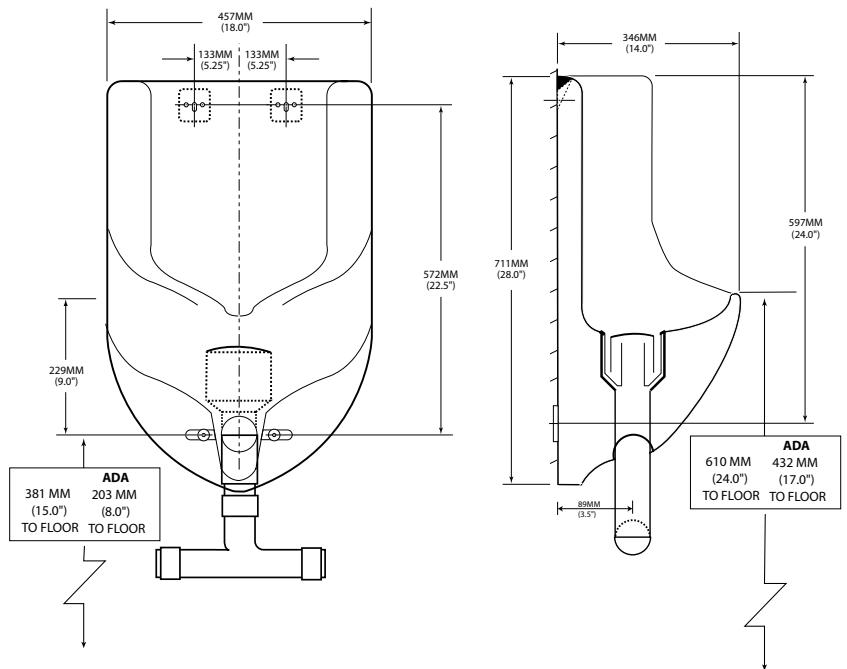
ADA COMPLIANT UNIT

SONORA™ BOTTOM DRAIN SPECIFICATIONS:

Rough-in to be 15.0" off floor for 24" lip to floor dimensions.

ADA: Rough-in to be 8.0" off floor for 17" lip to floor dimensions.

Weight: 22 lbs.



INSTALLATION INSTRUCTIONS

Bottom Drain Model #2901, #2902 and #2903

For additional installation instructions that pertain to each individual urinal, please see next page.

NOTE:

No flushometer needed for fixture, provide suitable reinforcements for all wall supports and carriers. ADA: Requires urinal rim to be mounted 17" above finished floor. Dimensions for fixtures are nominal and may vary within the range of tolerances established by ANSI Standard A112.19.2, A112.19.19 and ANSI Z124.9. Measurements are subject to change or cancellation. No responsibility is assumed. CSA®; ; others.

Please leave this Installation/Care sheet with the owner/user as it contains important information.

BOX CONTENTS:

2-EcoTrap® Inserts; 2-Wall Hangers;
1-Tile Label; 2-Washers; 4-Plastic Anchors; 4-Screws;

TOOLS/HARDWARE NEEDED:

Screwdriver; 5/16" (7.9mm) Masonry Drill Bit and Drill; Putty Knife; Water Supply Cap (for retrofit only); Caulk; 2-Screws

BEFORE YOU BEGIN:

- **Do not** install *No-Flush™* urinals without prior waste line clean out. **Do not** double trap *No-Flush™* urinal.
- Please insure that the new urinal has the correct rough-in dimensions.
- When working with highly polished plastic or ceramic products, please use care in handling the unit during installation to avoid scratches or chip marks.
- Over-tightening bolts and screws may result in damage to the urinal.
- Measure drain line height for correct urinal height.

TO REMOVE EXISTING URINAL:

Turn off the water supply. Flush the urinal to drain valve and scoop or sponge out remaining water in urinal. Disconnect the flushometer valve and cap water supply line. Remove urinal shell from wall and clean off any residues from wall and flange.

BEFORE YOU INSTALL URINAL:

Do not install *No-Flush™* urinal without prior waste line clean out. Existing scaling and debris in the waste line will inhibit the flow of waste from Waterless™ urinal and its proper functioning can not be guaranteed. *No-Flush™* urinals are engineered, however, to reduce waste line scaling.

TO INSTALL NO-FLUSH™ URINAL:

- Waterless urinal should be attached to wall so that urinal lip is 24" off floor (for ADA urinal 17" lip to floor).
- Measure required instruction sheet height per urinal above center of waste line/rough-in.

#2902 DEL CASA & #2903 SANTA FE Installation Instructions

- Mark holes for wall hangers at desired height and 5.5" (127mm) for #2902 and 4.0" (102mm) for #2903 to each side of urinal center. Assure hangers are aligned horizontally. Drill hanger holes with 5/16" (8mm) drill bit. Attach wall hangers with supplied screws and plastic anchors. Tighten screws.
- Mark holes on wall through holes in horizontal bottom piece of urinal. Remove urinal and use same drill bit to drill holes. Reattach urinal over hangers and screw in bottom screws.
- Assemble ABS drain pieces (not supplied) as needed.
- Lip to floor height to be 24" (610mm) or ADA 17" (432mm)

#2901 DEL MAR Installation Instructions

- Mark holes for wall/bulkhead bolts (not supplied) on top of urinal at desired height. Assure holes are aligned horizontally. Drill holes with 5/16" (8mm) drill bit.
- Mark holes on wall through holes in horizontal bottom piece of urinal. Remove urinal and use same drill bit to drill holes. Set urinal to wall/bulkhead and hand tighten top of urinal with bolts. Attach supplied screws and plastic anchors through bottom holes. Tighten screws.
- Assemble ABS drain pieces (not supplied) as needed.
- Lip to floor height to be 24" (610mm) or ADA 17" (432mm)

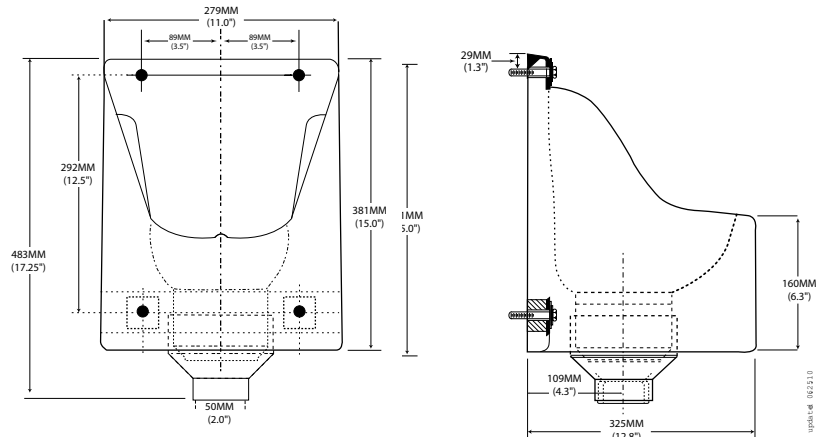
FOR ALL THREE: #2901, #2902 & #2903

- Measure 2" pipe parts, in accordance with local trade practices, for connection from urinal to drain line.
- Trial assemble all parts to see that all fits. Hand tighten pieces. **DO NOT DOUBLE TRAP WATERLESS URINAL.** The urinal has its own integral trap.
- Caulk around the urinal. Attach enclosed tile label above urinal on wall.

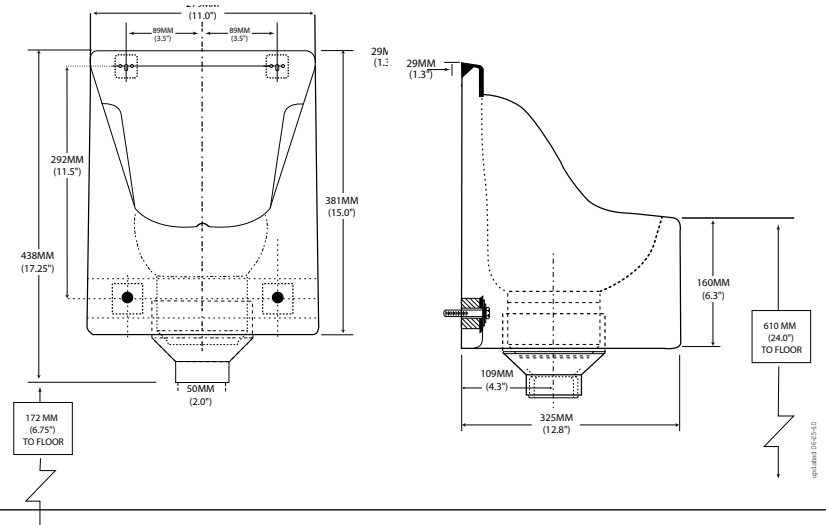
INITIAL START-UP:

Wipe urinal clean with soft moist rag. Take enclosed *EcoTrap®* plastic trap insert and set trap into trapway. **Push trap down below rim of trapway.** Fill with water under faucet in sink. Fill until full or water overflows on bottom then add 3 oz. of *BlueSeal®* liquid. **Done!**

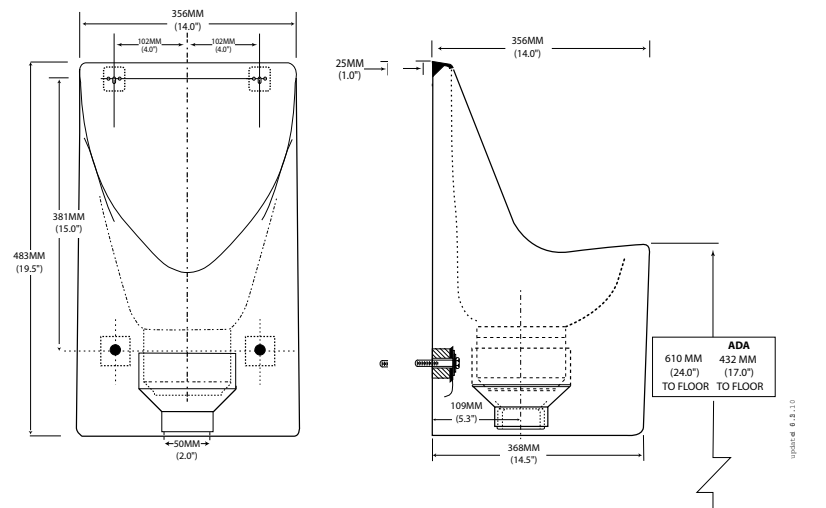
Del Mar™ #2901 Bottom Drain



Del Casa™ #2902 Bottom Drain



Santa Fe™ #2903 Bottom Drain



In keeping with our policy of product improvement, Waterless Co. reserves the right to change product specifications at any time without notice. It is the responsibility of the specifier, installer and wholesale seller to confirm specification at time of sale or installation. No responsibility is assumed, claimed or accepted by Waterless Co. Inc.

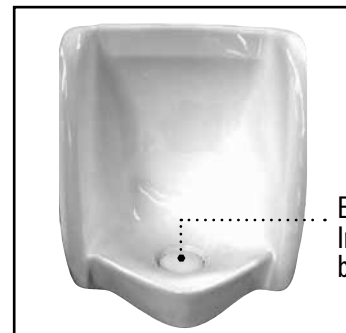
URINAL INITIAL SET-UP



1. After urinal is installed, test for water tightness by pouring a bucket of water into the open drain hole of urinal. If no water leak is detected, caulk around the urinal, leaving approx. 8" on the bottom of the urinal uncaulked. Wipe urinal clean.



2. Take supplied *EcoTrap*[®] and fill with water under faucet in sink. Fill until full or water overflows on bottom.



EcoTrap[®]
 Insert
 below rim.

3. Insert the water filled *EcoTrap*[®] into the urinal drain opening . **IMPORTANT: then press *EcoTrap*[®] by hand below rim.**



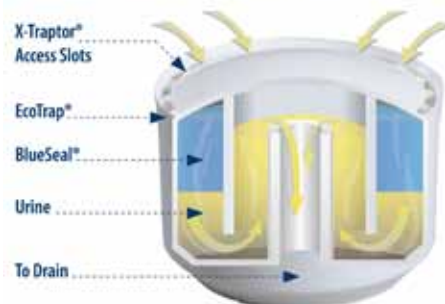
4. Insert and tighten Portion-Aid measuring device onto *BlueSeal*[®] quart bottle. Hold bottle upright. Squeeze bottle to fill Portion-Aid to 3oz. Then simply fill *BlueSeal*[®] from Portion-Aid into *EcoTrap*[®]. **Done!**

EcoTrap[®] Principle

- a. Urine flows down into the patented Vertical *EcoTrap*[®] drain insert.
- b. In the *EcoTrap*[®] the urine passes through a floating layer of *BlueSeal*[®] liquid, which forms a barrier that prevents sewer vapors from escaping into the restroom atmosphere.
- c. Urine under the barrier layer overflows into the central tube and runs down into the conventional drain line.

How it Works!

Cross-Section of the Patented Vertical *EcoTrap*[®]



TROUBLESHOOTING

PROBLEM	CAUSE	REMEDY
There is an odor coming from the urinal.	1.) <i>BlueSeal</i> [®] is depleted. 2.) Urinal is not connected properly to the drain.	If odor comes from urinal trap, add <i>BlueSeal</i> [®] . If odor comes from below urinal, remove and reset urinal to wall and drain line. Also check floor drain if odor comes from here; if so, add 1 gal of water to floor drain and add 3 oz. of EverPrime [™] , our great floor drain sealer.
Trap does not flush/flow.	1.) The <i>EcoTrap</i> [®] is full. 2.) The drain line is plugged. 3.) The system is double trapped.	Replace the <i>EcoTrap</i> [®] per Maintenance Instructions. Remove the <i>EcoTrap</i> [®] and snake the drain line. Remove the drain line trap so that only the <i>EcoTrap</i> [®] is the trap for the system.

MAINTENANCE INSTRUCTIONS: BLUESEAL REFILL

DO NOT REMOVE TRAP FOR REFILL

One 3 oz. refill will last for approx. 1500 uses.

No need to refill daily!! See interval chart to the right.



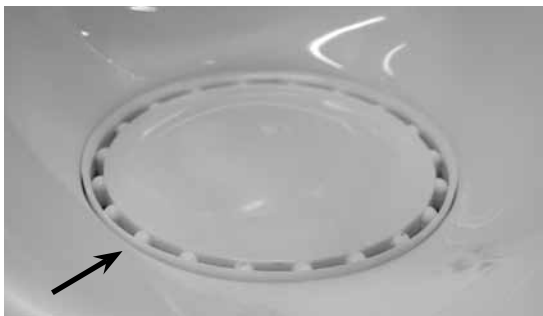
BlueSeal® Trap Liquid Estimated Intervals

Approximate Users per Day per urinal	Monthly 3 oz. BlueSeal® Refills
1 - 75*	Monthly
76 - 150*	Twice a Month
151 - 225*	Three Times a Month
226 - 300*	Weekly
* Based on a 5 day work week.	

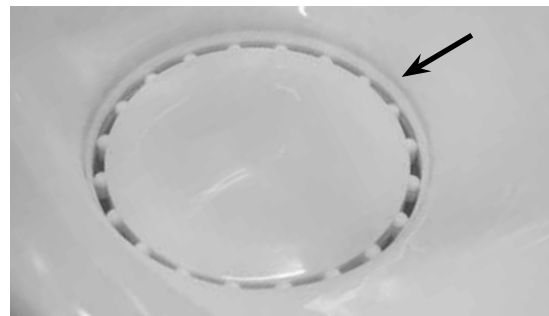
1. Screw the *PortionAid* onto a *BlueSeal*® quart bottle.
2. Squeeze bottle to measure out 3 oz. of *BlueSeal*® into the *PortionAid*.

3. Pour *BlueSeal*® directly into *EcoTrap*® towards back of urinal.

Task Time: 20 Seconds



Incorrect Sealing (above rim)



Correct Sealing (below rim)

Cleaning Instructions (Traditional):

1. Remove any foreign objects and other debris from base of urinal bowl.
2. Use only non-abrasive cleaners and a soft sponge/mop on urinal surfaces for cleaning.
3. Use cleaner on wet sponge, cloth, or mop. Then wipe clean all surfaces of urinal, especially the lower front.
4. Dry all surfaces with a soft cloth or soft rag.
5. Maintenance Video may be viewed at: www.waterless.com

Cleaning Instructions (Nviro-Clean™):

1. Remove any foreign objects and other debris from base of urinal bowl.
2. Spray Nviro-Clean™ liberally on urinal surface starting at the top and working your way down to the plastic trap insert. Cleaning should take place once or twice a day or as wash-room traffic dictates. **DO NOT WIPE OFF OR SCRUB.**
3. Do not use any other cleaners while using Enviro-Clean™.

MAINTENANCE INSTRUCTIONS

ECOTRAP® EXCHANGE



REMOVE OR EXCHANGE EcoTrap® ONLY WHEN NEEDED, i.e. slow urine flow or pooling. The table below shows approximate intervals.

1. Have the X-Traptor® tool, new EcoTrap®, a plastic bag and a deodorizer ready and on hand.
2. Insert X-Traptor® into trap slots and engage on knobs.
3. While slowly pulling up, wiggle tool side to side to loosen EcoTrap®.
DO NOT PULL STRAIGHT UP! Once the EcoTrap® is removed, spray some deodorizer into the drain.
4. With EcoTrap® still on X-Traptor®, pour liquid contents into the open drain hole of urinal.
5. Deposit used EcoTrap® in plastic bag. Disengage and remove X-Traptor®.
6. Seal the plastic bag and discard in locally appropriate manner.
7. Loosen any sediment accumulation in drain hole with any long object.
8. Pour a full bucket, approx. 5 gallons, of preferably hot water into drain hole of urinal to flush sediments from waste line before inserting new EcoTrap®.
9. Take new EcoTrap® and fill with water under faucet in sink. Then set EcoTrap® insert into trapway. **Push EcoTrap® down, below rim of trapway.**
10. **Add 3 oz. of BlueSeal®. Done!**

TASK TIME: 3-4 Minutes

EcoTrap® Replacement Estimated Intervals

Approximate Users per Day per urinal	EcoTrap® Exchange
1 - 30*	Once a Year
31 - 60*	Twice a Year
61 - 90*	Three Times a Year
91 - 120*	Four Times a Year
* Based on 7000 uses per urinal and 240 days usage.	

MANUFACTURER'S LIMITED THREE YEAR WARRANTY

Subject to the conditions and discussions set forth herein, Waterless Co. Inc. warrants its No-Flush™ urinals against defects in material or workmanship for a period of 3 (three) years from date of purchase. Waterless Co. Inc.'s sole obligation under this warranty shall be to repair or replace any part of the product which proves, upon our inspections, to be defective in materials and/or workmanship.

WARRANTY SPECIFIC CONDITIONS:

Failure to comply with any of the following conditions shall void this warranty in its entirety.

1. The attached Warranty Registration Card must be fully completed, contain all required signatures and be mailed by the user/purchaser to Waterless Co. Inc. **within 30 days of the date of purchase.**
2. The urinal must be properly installed, and operation as well as care instructions must be followed as outlined in the enclosed instructions of each urinal shipment, including the use of only authorized liquids and trap inserts, such as BlueSeal® and EcoTrap®. Use of any other liquids or trap inserts specifically voids this warranty. Reinstatement fee may apply.
3. Repairs or replacements to the urinals or its component parts must be performed only by authorized representatives of Waterless Co. Inc., or its authorized service technicians.

WARRANTY EXCLUSIONS:

This warranty does not cover damage resulting from transit, accidents, acts of God, misuse, unauthorized repairs, negligence, modifications, tampering, disconnection, improper adjustments, improper care or maintenance, improper installation and out-of-warranty service.

Any implied warranty of merchantability or fitness for a particular purpose applicable to this product is limited to the duration of this written warranty.

Waterless Co. Inc. shall not be liable for incidental or consequential damages resulting from breach of this written warranty or any implied warranty.

The performance of urinal repairs, exchanges or needed adjustments shall be the exclusive remedy to the user/purchaser under this written warranty or any implied warranty. Shipping and other applicable charges remain the responsibility of the user/purchaser.

This warranty gives you specific rights. You may have additional rights which vary from state to state. No person shall be authorized to change, add to, or create any warranty or obligation other than set forth herein.

**WARRANTY REGISTRATION CARD
FOR WATERLESS® NO-FLUSH™ URINALS**

To register a valid Warranty for No-Flush™ urinals, please complete all sections and required signatures below and return it to Waterless Co. Inc. within 30 days of your purchase.

Company: _____ Name: _____ Title: _____

Address: _____

City: _____ State: _____ Zip Code: _____ Tel: (____) _____

Fax: (____) _____ E-Mail: _____ Purchased From: _____

Model# 2003__2004__2005__2101__2103__2104__Other _____ Purchase Date: _____

Installed By Company: _____ Name: _____ Tel: (____) _____

Waste Line Cleaned before Installation: ___Yes___No Rough-In needed to be changed: ___Yes___No___

Replaces Existing Fixtures: ___Yes___No___ New Installation: ___Yes___No

Type of Facility: _____ Commercial _____ Institutional _____ Military _____ Other _____

THANK YOU for purchasing WATERLESS® NO-FLUSH™ urinals.

===== FOLD HERE AND TAPE ON OPEN END. =====

FROM: _____

**PLACE
STAMP
HERE**

WATERLESS®.com
1050 JOSHUA WAY
VISTA, CA 92081

1-800-244-6364