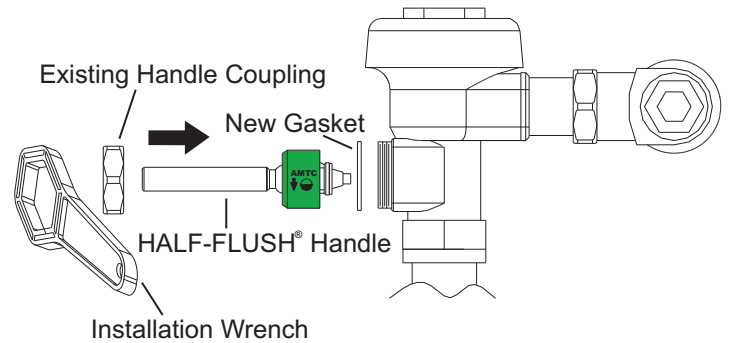
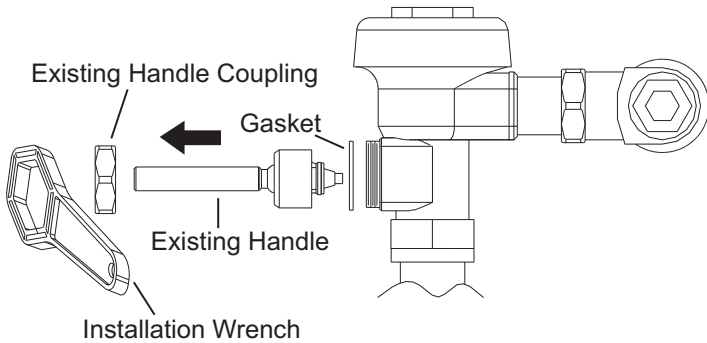


# AMTC HALF-FLUSH® Handle Installation Guide

(Refer to illustrations below)

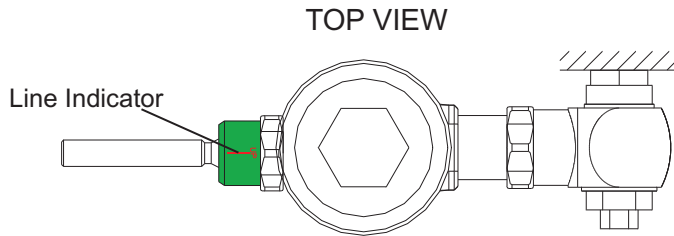
**NOTE:** Water does not need to be shut off to install HALF-FLUSH® Handle, but use caution to NOT ACTIVATE the valve.

**IMPORTANT:** Make sure that existing diaphragm assembly matches the required flush volume for the existing fixture to assure proper and maximum performance.

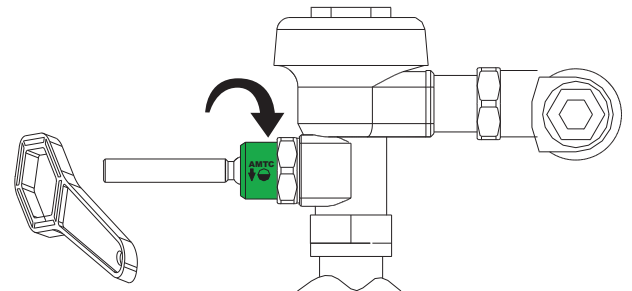


**1** Remove Existing Handle Coupling, Existing Handle, and Gasket from Flushometer Valve Body using supplied Installation Wrench.

**2** Replace with HALF-FLUSH® Handle and New Gasket using Existing Handle Coupling.

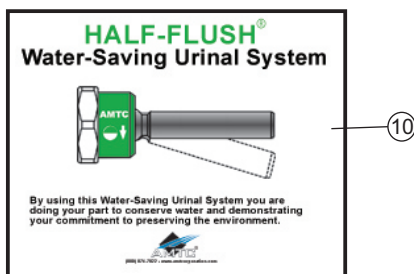
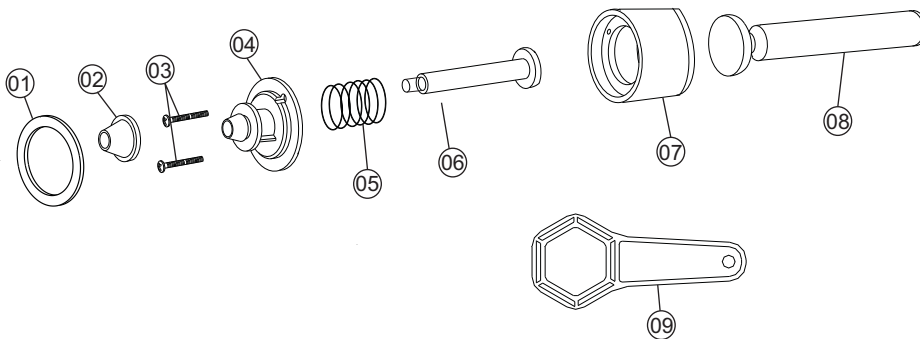


**3** Install HALF-FLUSH® Handle with "RED LINE" Indicator Facing "UP".



**4** Tighten the Handle Coupling Securely using the supplied Installation Wrench.

## HALF-FLUSH® Handle Parts Diagram:



4840 York Blvd

Los Angeles, CA 90042

Toll Free: (800) 458-2377 • Fax: (323) 258-6523

www.CandLsupply.com

PART #	PART NAME
01	Washer
02	Seal
03	Screw (2)
04	Bushing 0.5gpf (blue)
05	Spring
06	Shaft
07	Socket
08	Handle
09	Wrench
10	Wall Sign